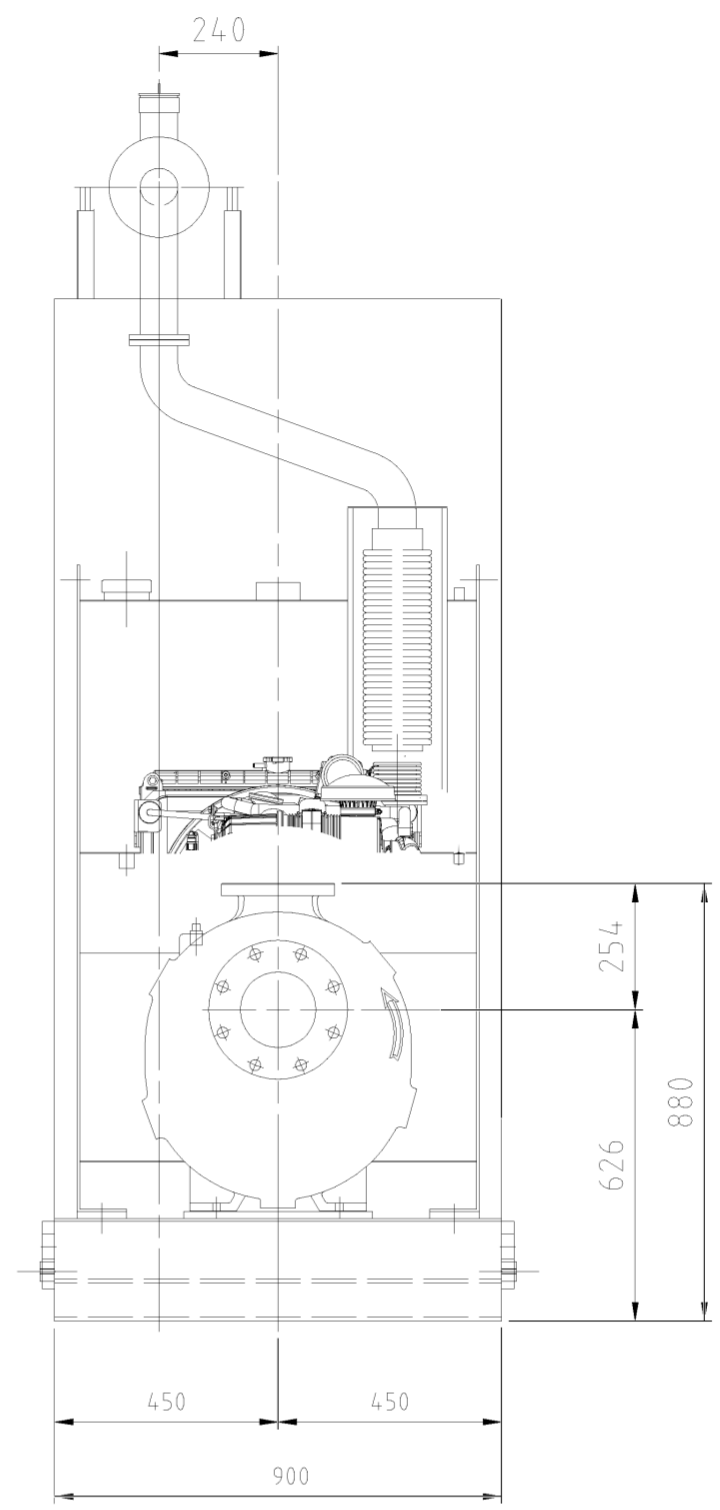
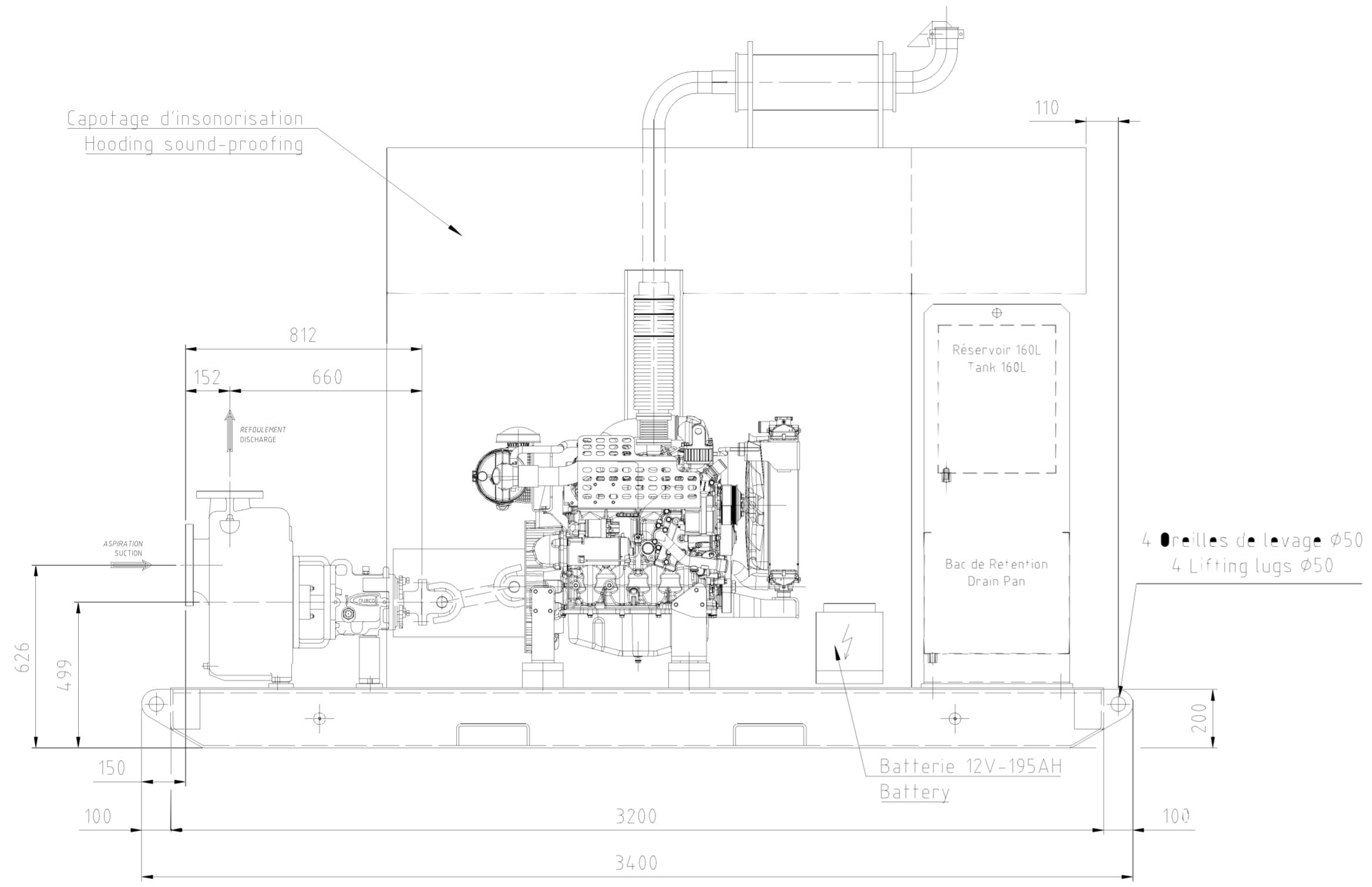


REVISIONS							
REV.	DESCRIPTION	ECO No	DATE	REF. ZONE	REV'D	CHKD	APPVL
A	CREATION		12/07/13		JB	JM	ED
B	Updated		11-03-14		JB	JM	ED



**PUMP NOZZLE LOADINGS**  
*EFFORTS MAXIMUM SUR POMPE*

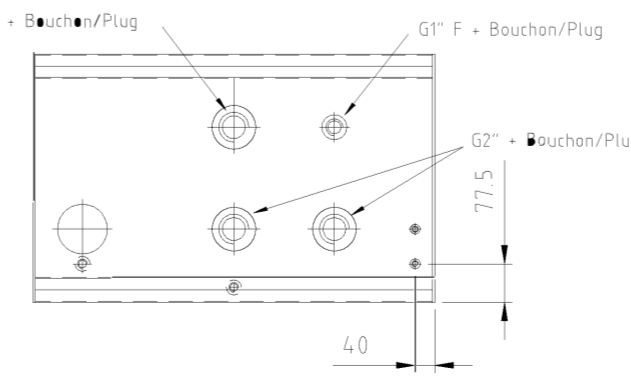
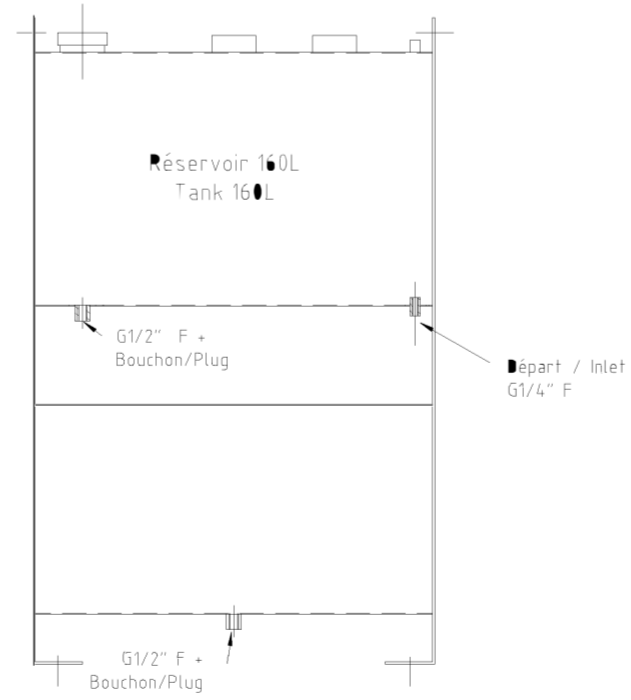
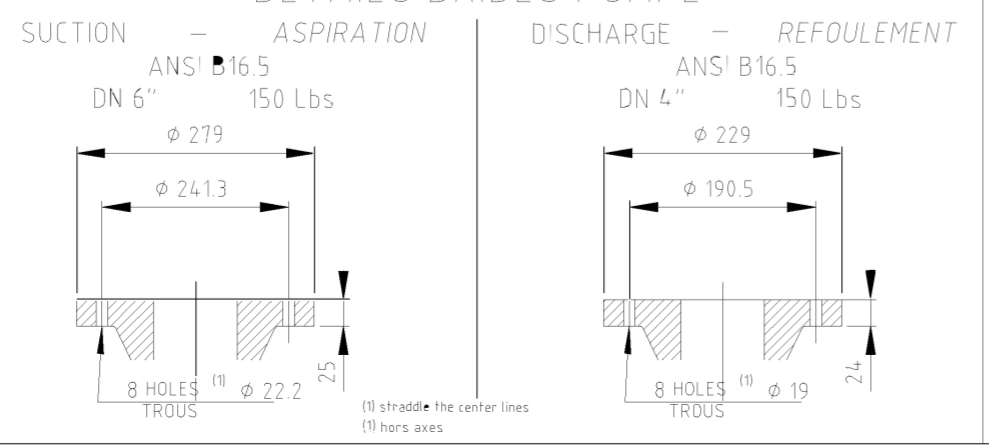
The Loads and Torques on the flanges do not exceed the values specified in the following list  
Les contraintes exercées sur les brides ne doivent pas excéder les valeurs spécifiées dans le tableau suivant

	F <sub>x</sub>	F <sub>y</sub>	F <sub>z</sub>	$\Sigma F$	M <sub>x</sub>	M <sub>y</sub>	M <sub>z</sub>	$\Sigma M$
	daN				m.daN			
SUCTION ASPIRATION	1201	601	667	1499	176	176	149	290
DISCHARGE REFOULEMENT	623	601	1446	1685	163	203	94	277

**WEIGHT - MASSE**

PUMP POMPE	290 kg
MOTEUR MOTOR	360 kg
COUPLING ACCOUPLMENT	15 kg
BASEPLATE SOCLE	600 kg
OTHERS AUTRES	835 kg
TOTAL WEIGHT (without water) MASSE TOTALE (sans eau)	2100 kg
DYNAMIC CHARGE DYNAMIC CHARGE	2940 daN

**PUMP FLANGES DETAILS**  
*DETAILS BRIDES POMPE*

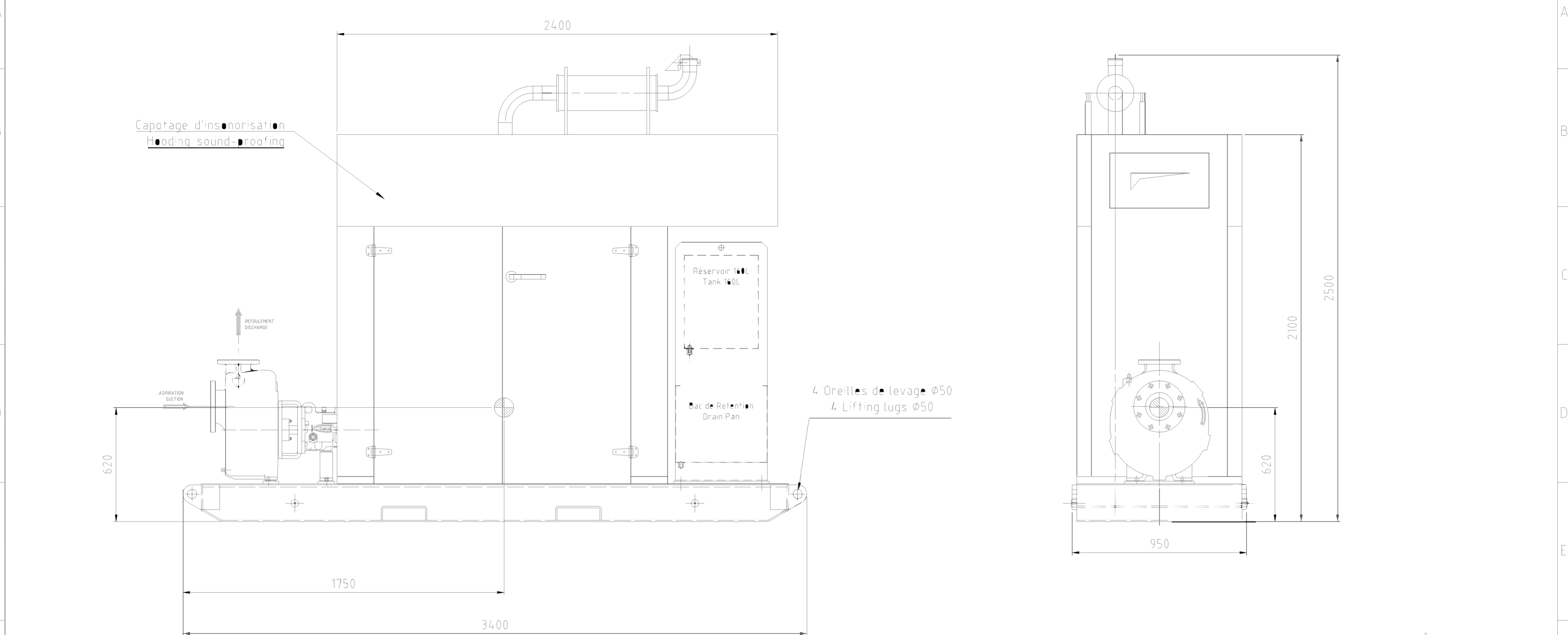


**Seepage Pumps**  
**TSU tag : 550-PU-1210A/B**



<p>PROPRIETARY NOTE THIS MATERIAL IS THE PROPERTY OF FLOWSERVE INTERNATIONAL INC. AND IS FURNISHED ONLY FOR THE PURPOSE INDICATED. ANY AND ALL CONFIDENTIAL, PROPRIETARY, PATENT AND OTHER RIGHTS, IN THE SUBJECT MATTER BEING FURNISHED, ARE RESERVED. NO PART OF THIS MATERIAL, IN WHOLE OR IN PART, OR MANUFACTURE THEREOF, SHALL BE REPRODUCED, COPIED, OR TRANSMITTED IN ANY FORM OR BY ANY MEANS, ELECTRONIC OR MECHANICAL, INCLUDING PHOTOCOPYING, RECORDING, OR BY ANY INFORMATION STORAGE AND RETRIEVAL SYSTEM, WITHOUT THE WRITTEN PERMISSION OF FLOWSERVE INTERNATIONAL INC. PERMISSION TO REPRODUCE THIS MATERIAL, IN WHOLE OR IN PART, OR MANUFACTURE THEREOF, SHALL BE GRANTED ONLY BY SPECIFIC AUTHORIZATION IN WRITING SIGNED BY AN OFFICER OF FLOWSERVE INTERNATIONAL INC.</p>		<p>APPROVAL NOTE TO CUSTOMER 1. PURCHASER'S COMMENTS AND/OR CORRECTIONS, WITHIN THE SCOPE OF CONTRACT SHALL BE MADE ON THE FIRST COMPLETED CERTIFIED DRAWING SUBMITTED BY FLOWSERVE CORPORATION AND RETURNED. 2. CORRECTIONS, ALTERATIONS, ADDITIONS AND MODIFICATIONS OUTSIDE SCOPE OF CONTRACT OR MADE AFTER FIRST SUBMITTAL MAY REQUIRE AN ADDITIONAL ENGINEERING SERVICE CHARGE. 3. ITEMS CONDITIONALLY APPROVED OR WITH DEFERRED APPROVAL BY PURCHASER, MUST BE SPECIFICALLY STATED OTHERWISE DELIVERY MAY BE EFFECTED.</p>	<p>1st Angle Projection</p>
<p>STATUS OF APPROVAL APPROVED</p>		<p><b>FLOWSERVE</b> Pump Division Arrage Operation</p>	
<p>ORDER No. SP51200905-04</p>		<p>Pompe/Pump : MARK III 2K 6X4 US-13 Moteur/Diesel Engine - Iveco F32MN 51200905-GAD-004 Plan d'encombrement/General arrangement</p>	
<p>DRAWN BY J. BIARD DATE 11/03/2014</p>		<p>DRAWING No. A-3989729</p>	
<p>CHECKED BY J. MORICE DATE 11/03/2014</p>		<p>REV. B</p>	
<p>APPROVED BY E. DANIEL DATE 11/03/2014</p>		<p>SCALE A2</p>	
<p>SIZE A2</p>		<p>UNITS mm</p>	
<p>mt3989729b.dwg</p>		<p>SHEET No. 1 / 2 n/p</p>	

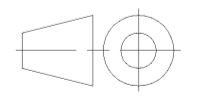

REVISIONS							
REV.	DESCRIPTION	ECO No	DATE	REF. ZONE	REV'D	CHKD	APPVL
A	CREATION		12/07/13		JB	JM	ED
B	Updated		11-03-14		JB	JM	ED



**Seepage Pumps**  
**TSU tag : 550-PU-1210A/B**



 CENTER OF GRAVITY  
 CENTRE DE GRAVITE

<b>PROPRIETARY NOTE</b> <small>THIS MATERIAL IS THE PROPERTY OF FLOWSERVE INTERNATIONAL INC. AND IS FURNISHED ONLY FOR THE PURPOSE INDICATED. ANY AND ALL CONFIDENTIAL, PROPRIETARY, PATENT AND OTHER RIGHTS, IN THE SUBJECT MATTER BEING FURNISHED, INCLUDING ANY EXCLUSIVE RIGHTS OF USE AND/OR MANUFACTURE AND/OR FOR SALE POSSESSION OF THIS MATERIAL, DOES NOT CONVEY ANY PERMISSION TO REPRODUCE THIS MATERIAL, IN WHOLE OR IN PART, OR MANUFACTURE THE SUBJECT MATTER SHOWN THEREIN OR USE THE CONFIDENTIAL OR PROPRIETARY INFORMATION THEREIN, SUCH PERMISSION TO BE GRANTED ONLY BY SPECIFIC AUTHORIZATION IN WRITING SIGNED BY AN OFFICER OF FLOWSERVE.</small>		<b>APPROVAL NOTE TO CUSTOMER</b> <small>1. PURCHASER'S COMMENTS AND/OR CORRECTIONS, WITHIN THE SCOPE OF CONTRACT, SHALL BE MADE ON THE FIRST COMPLETED CERTIFIED DRAWING SUBMITTED BY FLOWSERVE, CORPORATION AND RETURNED.                  2. CORRECTIONS, ALTERATIONS, ADDITIONS AND MODIFICATIONS OUTSIDE SCOPE OF CONTRACT OR PAID, AFTER FIRST SUBMITTAL, MAY REQUIRE AN ADDITIONAL ENGINEERING SERVICE CHARGE.                  3. ITEMS CONDITIONALLY APPROVED OR WITH DEFERRED APPROVAL BY PURCHASER, MUST BE SPECIFICALLY STATED OTHERWISE DELIVERY MAY BE EFFECTED.</small>		1st Angle Projection 
STATUS OF APPROVAL APPROVED		 Pump Division Arrage • Operation		
ORDER No. SP51200905-04		Pompe/Pump : MARK III 2K 6X4 US-13 Moteur/Diesel Engine - Iveco F32MN 51200905-GAD-004 Plan d'encombrement/General arrangement		
DRAWN BY J. BIARD	DATE 11/03/2014	DRAWING N° A-3989729		
CHECKED BY J. MORICE	DATE 11/03/2014	REV. B		
APPROVED BY E. DANIEL	DATE 11/03/2014	SCALE A2		
m:3989729b.dwg		UNITS mm	SHEET NO. 2 / 2 n/p	